

Multifunctional Rotary Grill mod GHPI **GR40**

Dimensions:

1823 mm (l) x 1600 mm (h) x 693 mm (p)

N.° of spits: 40

Grilling Area: 1523mm x 460mm

Weight: 420 kg

Thermal Flow: 48 kw

Type: A

Category: II_{2H3+}

Voltage: 230 V

Electric Power: 104 w

Butane gas

Pressure - 28-30 mbar

Consumption - 3,78 kg/h

Propane gas

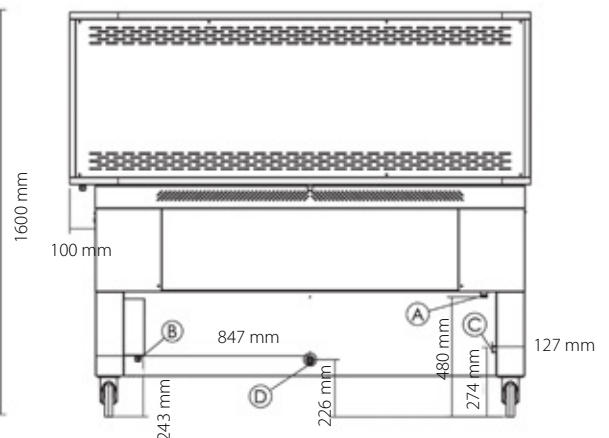
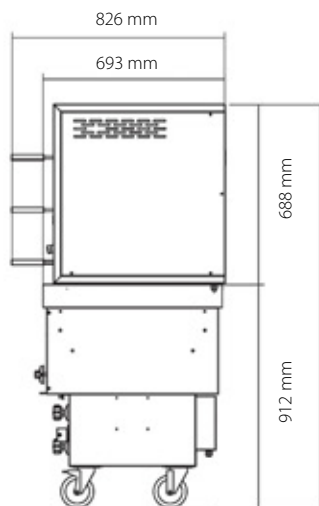
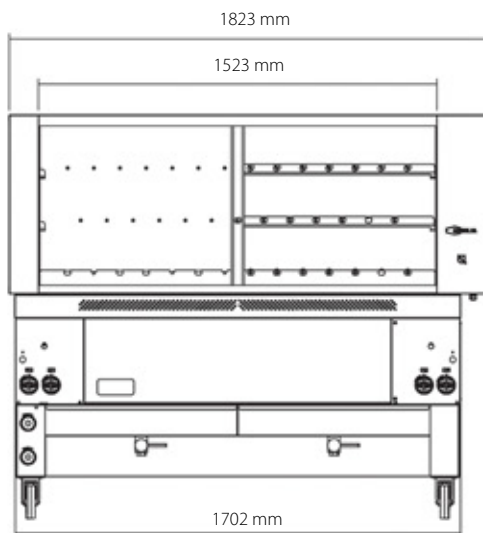
Pressure - 37 mbar

Consumption - 3,78 kg/h

Natural gas

Pressure - 20 mbar

Consumption - 5,0 m³/h



- A** - gas inlet 1/2"
- B** - power cord output
- C** - water inlet 3/4"
- D** - wastewater outlet 1"

