

Horizontal Grill mod GHPI R6/850

Dimensions:

33,58" (w) x 33,48" (h) x 35,03" (p)

Weight: 198 kg

Thermal Flow: 26 kw

Type: A

Category: II_{2H3+}

Voltage: 230 V

Electric Power: 122 w

Butane gas

Pressure - 28-30 mbar

Consumption - 2,1 kg/h

Propane gas

Pressure - 37 mbar

Consumption - 2,1 kg/h

Natural gas

Pressure - 20 mbar

Consumption - 2,8 m³/h

Attention: This model does not support fixed grille



scraper



GRE.R8.H10
rotating grid



GRE.R8.I10
cylindrical grid



GRE.R8.I10
costeletão grid



GRE.R8.I10
double spit



GRE.R8.M10
meat spit



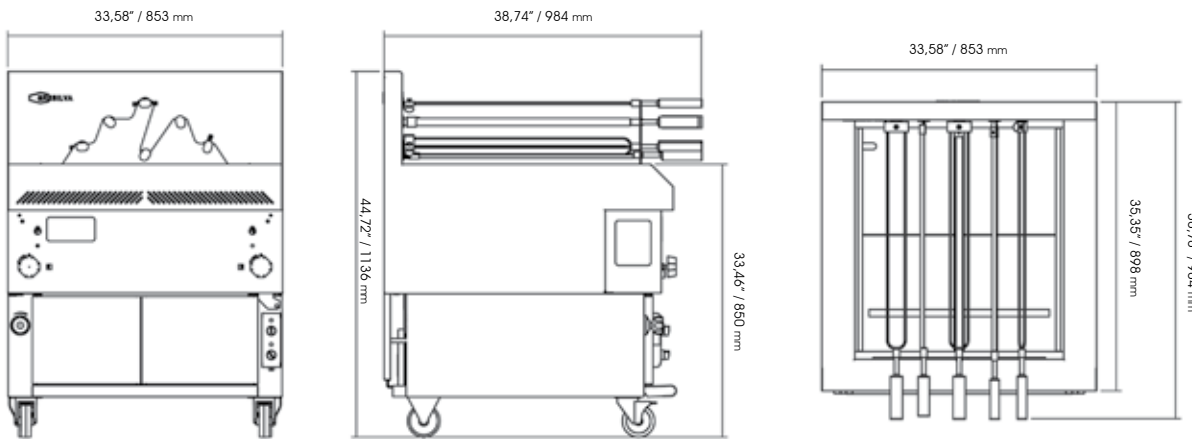
GRE.R8.L10
sucking pork
roasting spit



GRE.R8.S10
Supporte for grids

Horizontal Grill mod GHPI **R6/850**

Fixed version (height 850mm)



Mobile version with box for gas cylinders (height 880mm, robust wheels for easy movement)

